

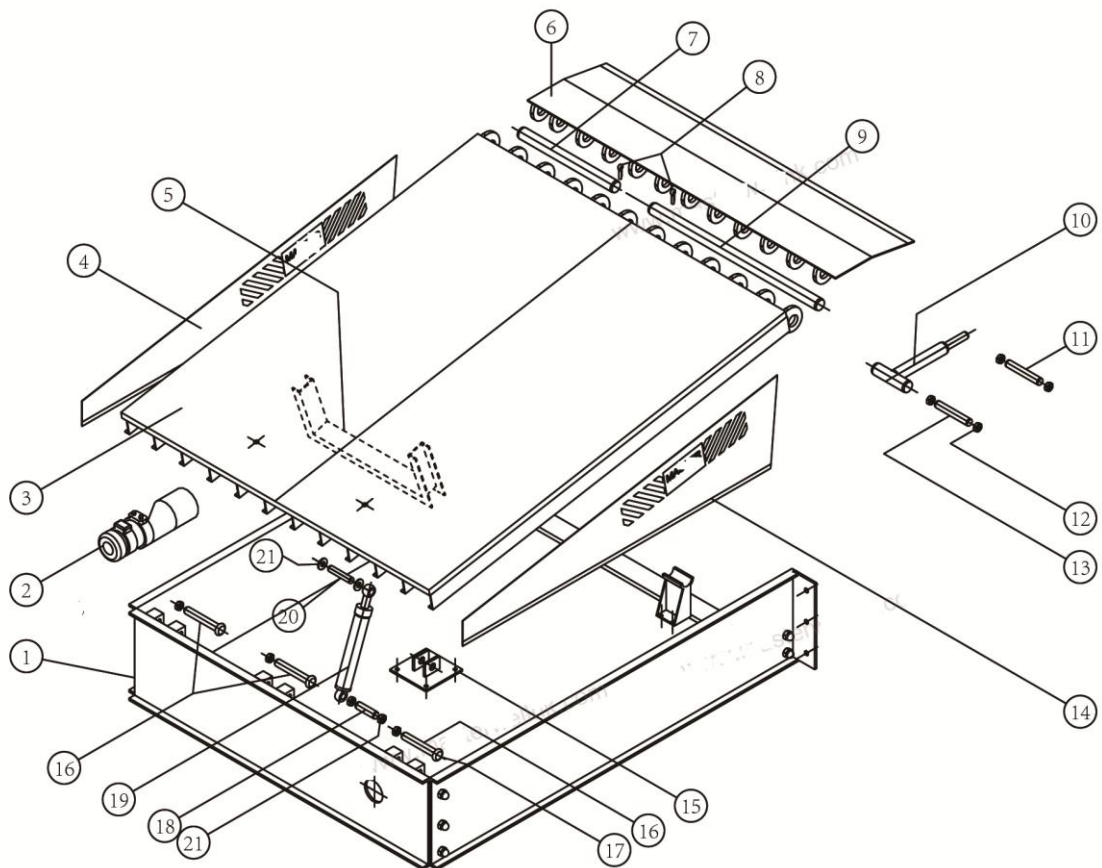
# Hydraulic Dock Leveler



Applicable Industries: Building Material Shops, Machinery Repair Shops, Manufacturing Plant, Food & Beverage Factory, Construction works , Warehouse

Place of Order	:HCMC, Vietnam
Brand Name	:Astech
Lift Mechanism	: Articulated Lift
Lift Drive / Actuation	: Hydraulic
Power	:0.75KW
Min. Lifting Height	:-300mm
Table Size	:1800*2000mm
Overall Dimensions	:1800*2200*600mm
Enterprise Nature	:Manufacturer and trader
Size	:Customized Size
Product name	:Customized
Pit dimension	:Class 3
Dynatic capacity	:15tons
Adjust range	:+350/-350mm
Power pack	:380V, 3Pm 50&60Hz, 1.1kw
Cylinders	:Two main cylinder
Certificate	:CE, ISO9001
Weight	: 800KG

Material Description	
Upper Plate	8 mm thickness, anti-skate steel plate
Swinging Lip	Single 16 mm thickness, 400mm length
Shaft	28mm galvanized
Foot Guard	Single galvanized,1.5 mm thickness
Support Profile	L Steel Profile,4 mm thickness
Control box	IP65, Monitor can display using times and DTCS, split control system , emergency stop
Safety system	a)self-lockingb)lip emergency stop
Working Range	-300mm to 350mm
Bumpers	400 x 100 x 80mm
Loading Capacity	6000kg-15000kg



## Inflatable Dock Shelter

Installation applied for requirements of high insulation and strong sealing;

High efficient air blower offering stable air pressure;

After loading & unloading, the air bag exhausted and packed into small package, guarantee a longer service life of dock seal.



Specification			
Width mm	3410, 3610		
Height mm	3300, 3800, 4900		
Moving range of top air bag	900 (1200)		
Moving range of side air bag	600		
Top mask	500		
Side mask	200		
Profile color	Aluminum intrinsic color (RAL9006)		
Panel color	White (RAL9003)		
Control mode	Switch/Platform Control Unit		
Parameters			
Power supply	380V/50HZ	Thickness	3mm
Power	0.75kw	Unit Weight	3.6kg/m
Control unit	Outside	Airbag	0.5mm
Protection Class	IP54	Material	Cordura 1000
Airbag average time	30s	Thickness	0.5mm
Working temperature	-35°C - +70°C	Unit weight	0.4kg/m
PVC curtain	3.6kg/m	The largest tensile ability	>290N/mm <sup>2</sup>
Panel thickness	50mm	Color	white(RAL 9003)

## Curtain Dock Shelter

The foldable door seal series of aluminium alloy structure is an ideal configuration scheme for medium strength loading and unloading places.

The front curtain board made of special PVC material has the advantages of high elasticity, wear resistance and tensile strength. During the loading and unloading process, the tail of the loading and unloading vehicle enters the door seal. The top curtain and side curtain can be fully close to the vehicle to ensure sealability.



Specification			
Width mm	3000, 3200, 3400		
Height mm	3000, 3200, 3400, 4400		
Thickness	3mm		
Standard Configuration	Single Layer		
Optional configuration	Double Layer		
Profile color	Aluminum intrinsic color (RAL9006)		
Parameters			
Front curtain		Side PVC curtain	
Longitudinal Tensile Force	>550N	Tensile resistance	250N
Transverse Tensile Force	>900N	Thickness	0.5mm
Ultimate tensile strength	250N/mm <sup>2</sup>	Weight	0.7kg/mm
Metal friction coefficient	0.3	Working temperature	-35°C—+70°C
PVC Friction Coefficient	0.4	Aluminum alloy frame	
Thickness	3mm	Back-end Profile Size	50*44mm
Weight	3.6kg/mm	Front end profile size	45*44mm
Working temperature	-35°C—+90°C	Frame size	50*25*2.5mm