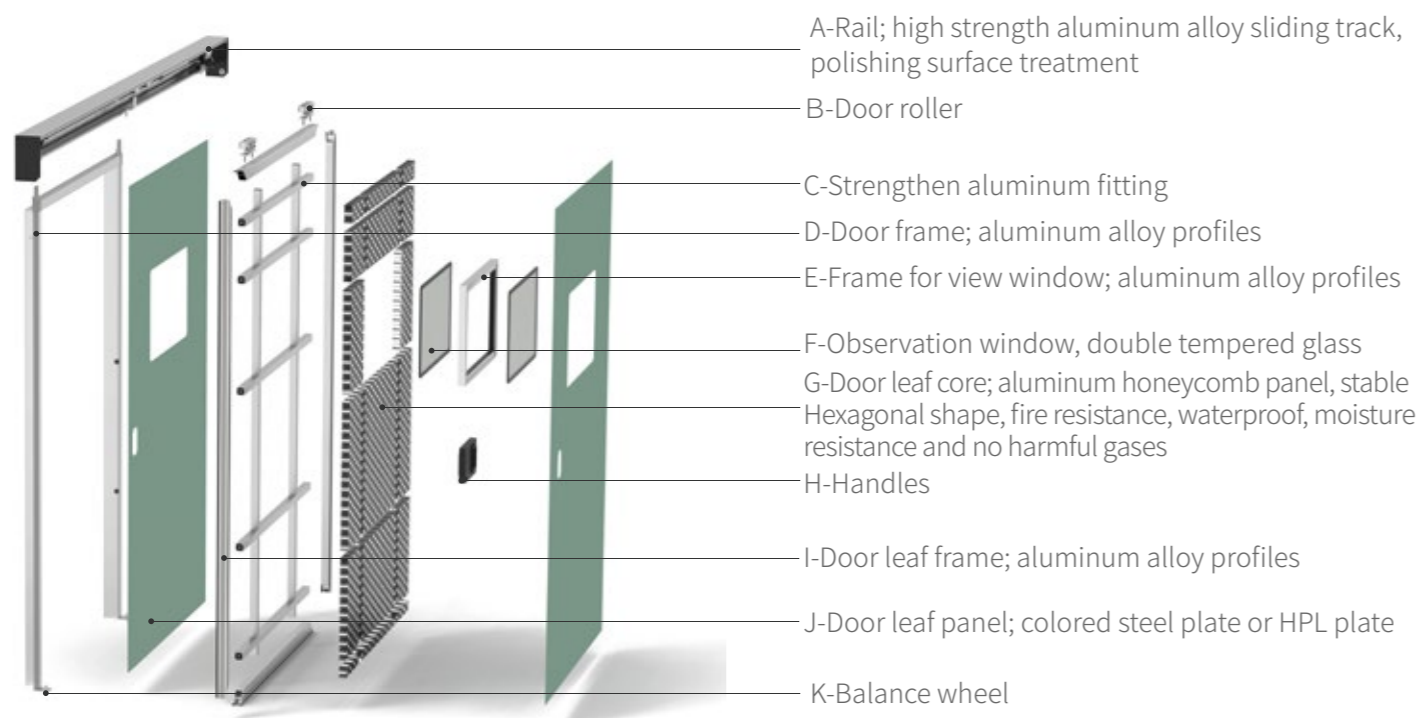


# Automatic Hermetic sliding doors



## High performance electric motor

Small/Effective/Low noise/Durable



## Features

- Rail made from high strength aluminum alloy, the door leaf can be open to easily check up in case.
- Integrated door frame and balance wheel, open or close smoothly, good air tightness.
- Patented door leaf handles in the same level with door leaf, no dead angle, easy to clean.
- Function of sinking and buckling can be for option, highly air tightness

## details



## Specifications

Normal width of doorhole/mm	Single leaf 1500	Double leaf ≤ 3000
Normal height of doorhole/mm	≤ 2100	
Open width of door leaf	≤ 99%	
Motor system	Top joint venture system	
Panel/Wall Options	Sandwich panel	Handicraft panel wall door
Thickness of wall/mm	≥ 50	
Options for door leaf panel	galvanized board with color options, stainless steel,HPL or tempered glass	
Thickness of door leaf	40 mm, 50 mm	
Size of View window	250*650 mm, 450*650 mm, 400*600 mm	
Types of locking system	External internal lever handle,SS handle	
Type of opening control	Automatic system	

Sound proof

Operating rooms

Infection protection

ICU rooms

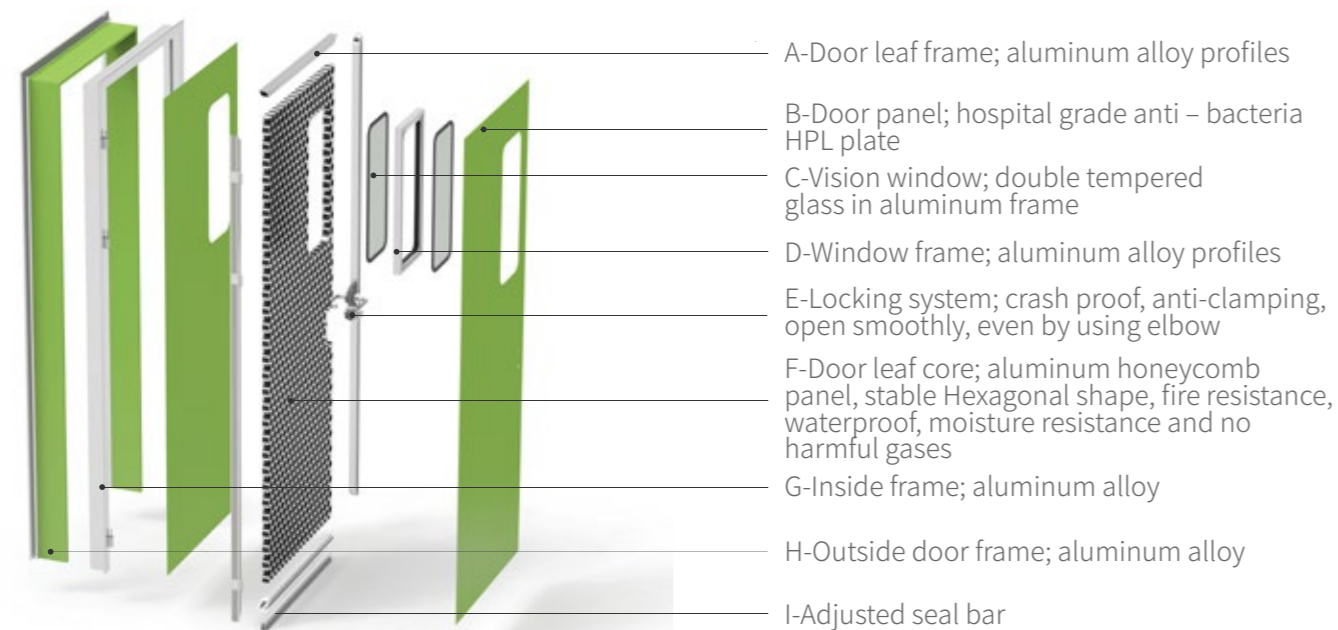
Moisture resistance

Food factory

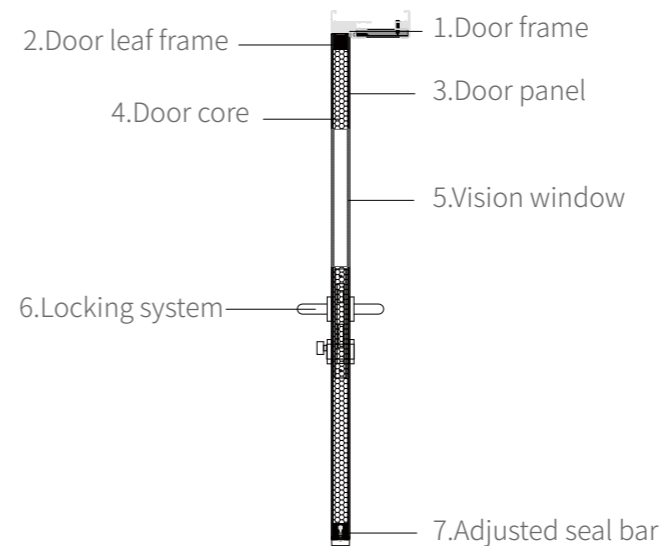
Impact resistance

Electronics factory

# HPL swing door



## Vertical Sections



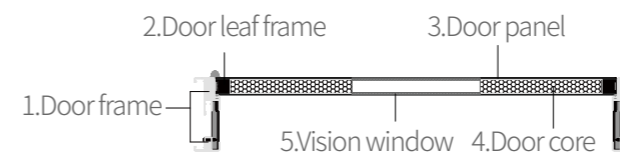
## Features

- 1.HPL panel contains silver ion. Anti-bacteria crash and wear resistance, weak acid and weak base protection.
- 2.Built-in vision window in door leaf, super smooth, no dead angle
- 3.Glass with special treatment, no frost in different temperature, bacteria resistance.
- 4.Equipped with adjusted seal bar at the bottom of door, good hermetic function
- 5.Smooth surface, no dead angle, dust-free.

## details



## Horizontal section

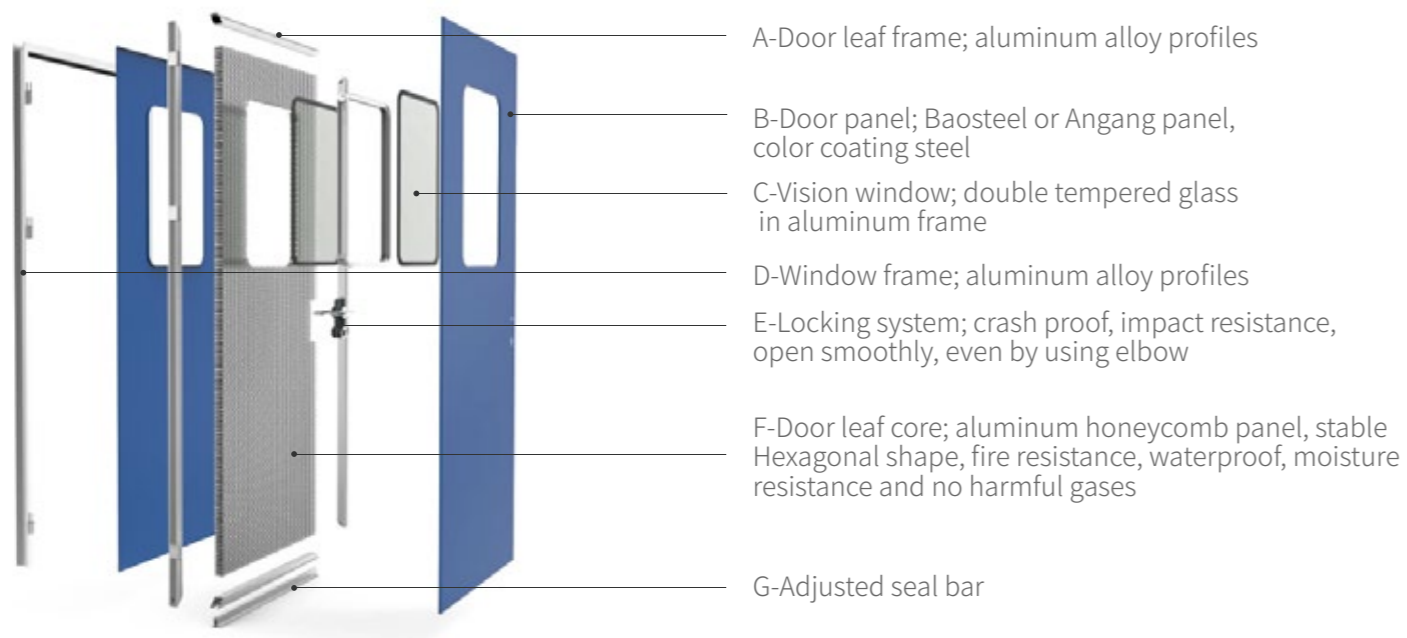


## Specifications

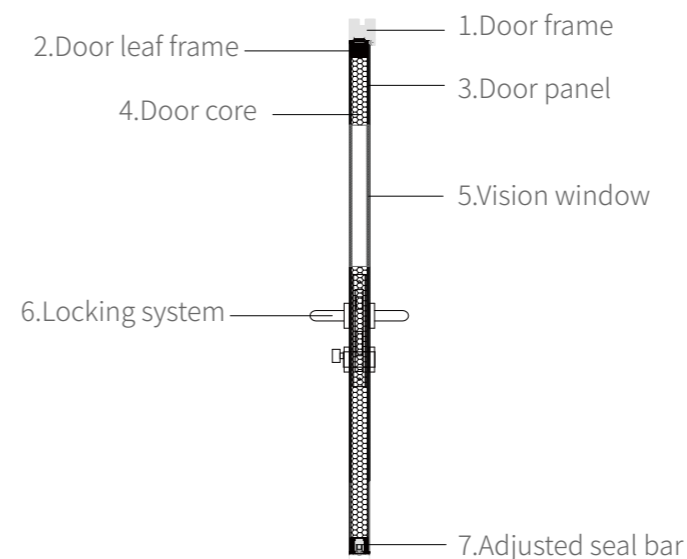
HPL panel door	Single leaf	Uneven double leaf	Double leaf
	800, 950	1200,1350	1500,1800
Normal height of door hole/mm	2100		
Opening angle	0° - 170°		
Wall options	Sandwich panel	handicraft panel	wall door
	50/75/100	50/75/100	Customized
Thickness of door leaf	40mm/50mm		
Size of View window	250*650mm/ 450*650mm /400*600mm		
Types of locking system	40 mm, 50 mm		
Size of View window	Leverset lock, split series, spherical lock		
Type of open control	Clear close system, hidden close system, interlocking system, automatic sliding system		

Sound proof	Operating rooms
Infection protection	ICU rooms
Moisture resistance	Office
Impact resistance	Bathroom

# Galvanized Glazing Steel Swing doors



## Vertical Sections



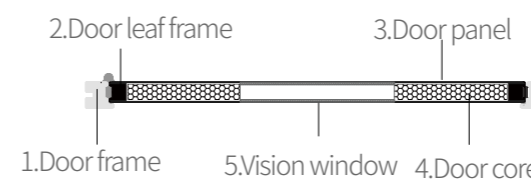
## Features

- Color steel plate with rich color for choice, wear resistance, corrosion resistance and stain resistance.
- Food grade coating, safe and no harm.
- Split lock system, open and close smooth, door can be open by elbow, impact resistance and clamping protection.
- Patented smooth and curving design, high security. G Easy to install, various dimension to meet customers' needs

## details



## Horizontal section

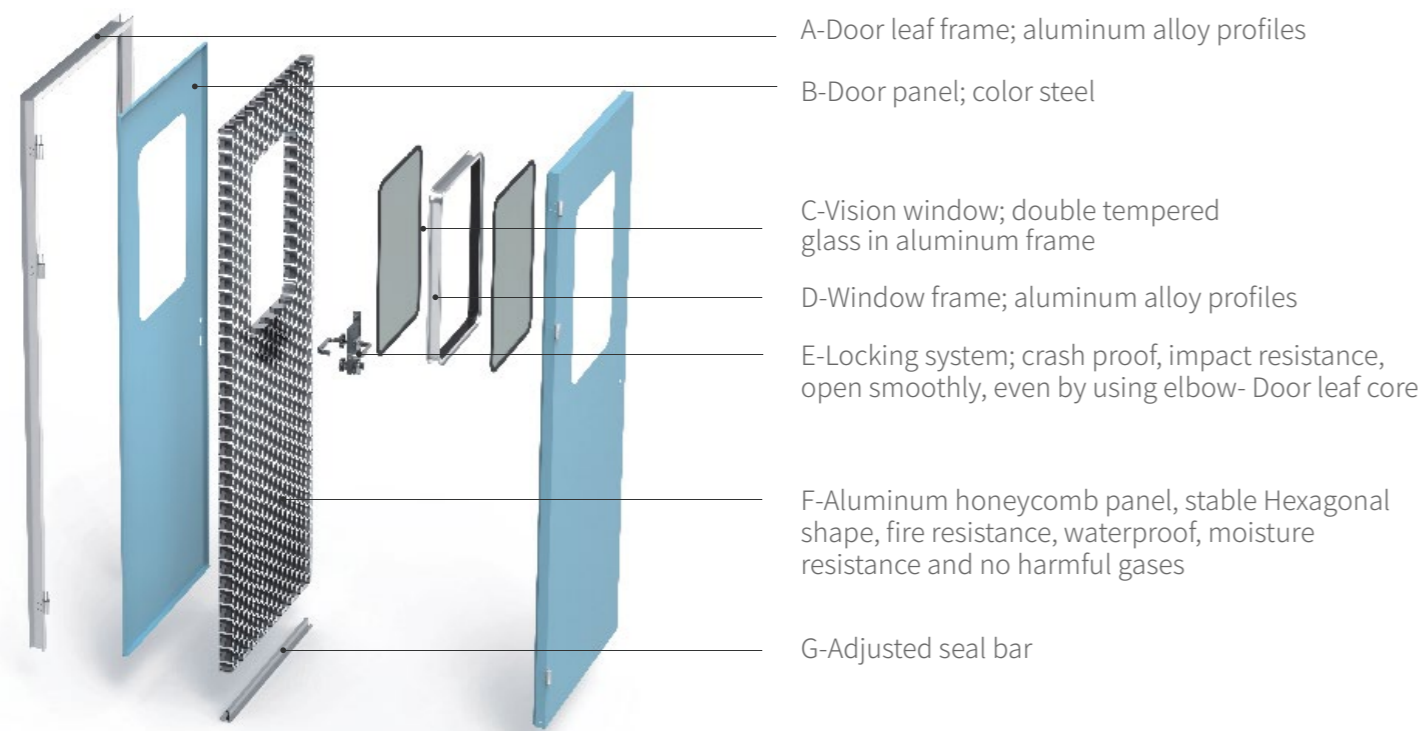


## Specifications

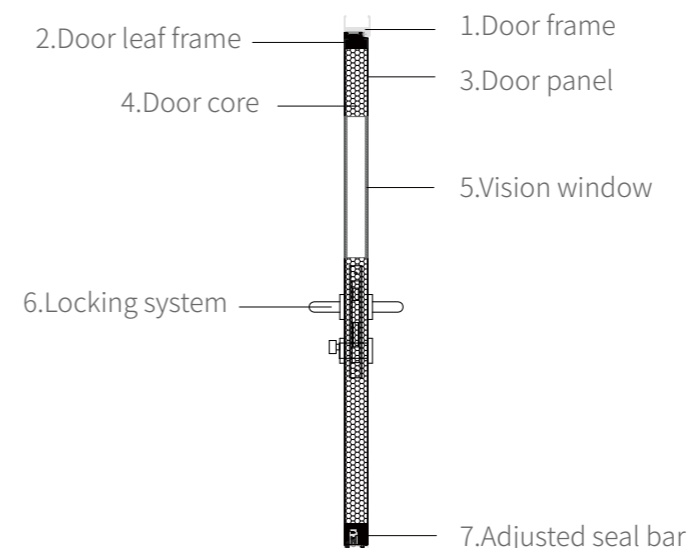
HPL panel door	Single leaf 800, 950	Uneven double leaf 1200,1350	Double leaf 1500,1800
Normal height of door hole/mm	2100		
Opening angle	0° - 170°		
Wall options	Sandwich panel	handicraft panel	wall door
	50/75/100	50/75/100	Customized
Thickness of door leaf	40mm/50mm		
Size of View window	250*650mm/ 450*650mm /400*600mm		
Types of locking system	40 mm, 50 mm		
Size of View window	Leverset lock, split series, spherical lock		
Type of open control	Clear close system, hidden close system, interlocking system, automatic sliding system		

Sound proof	Operating rooms
Infection protection	ICU rooms
Moisture resistance	Office
Impact resistance	Bathroom

# Steel doors



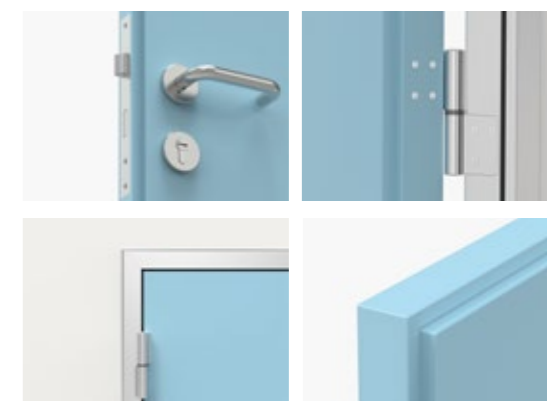
## Vertical Sections



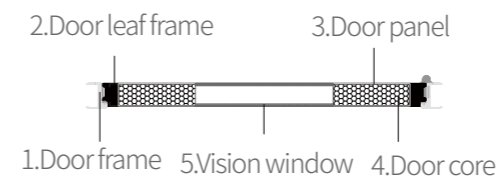
## Features

- Patented aluminum hinge design. Nylon sleeve to protect axle centre, friction protection and dust free.
- Unique sealing for the door frame, high sealing function, reduce noise.
- Steel panel, impact resistance, warp – proof and easy to clean.
- Various colors, customized dimension is available.

## details



## Horizontal section

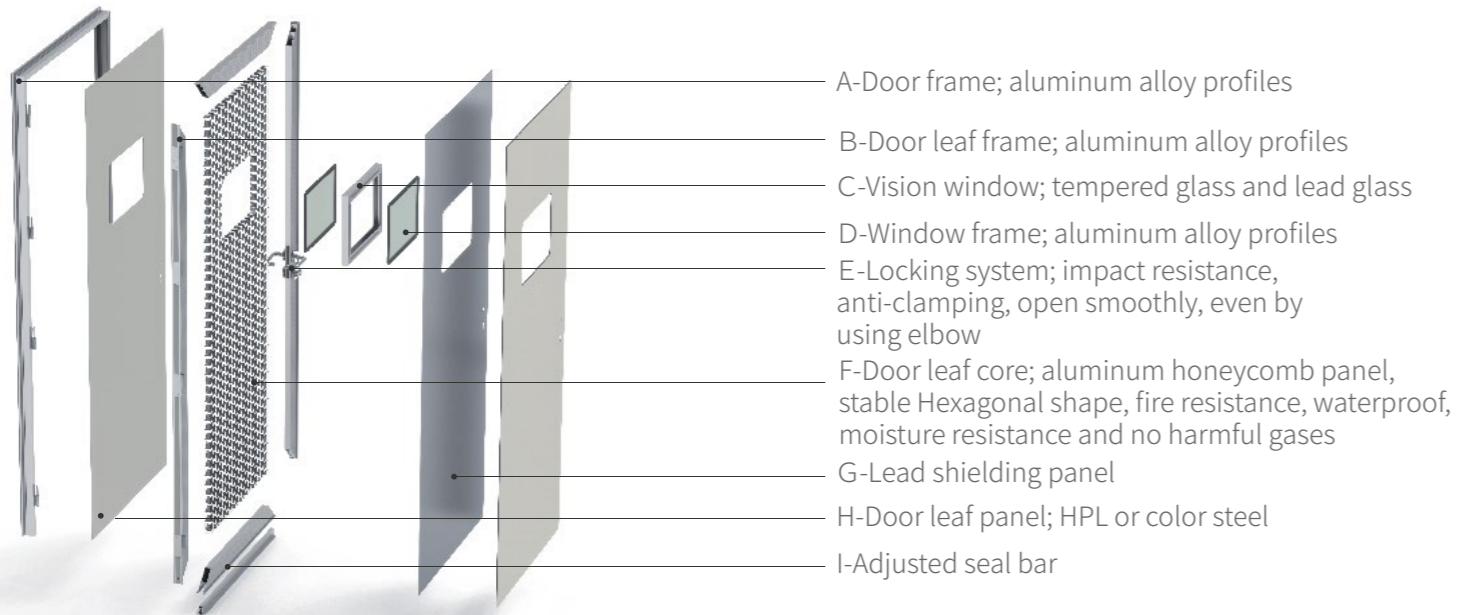


## Specifications

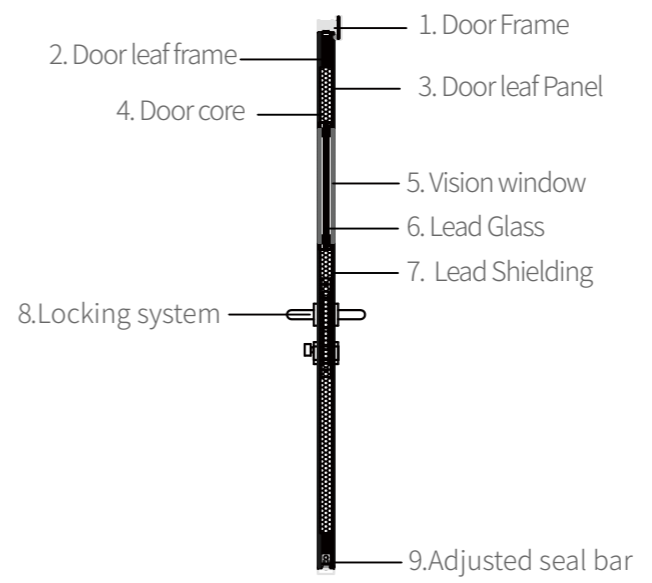
Steel hospital room door	Single leaf 800, 950	Uneven double leaf 1200,1350	Double leaf 1500,1800
Normal height of door hole/mm	2100		
Opening angle	0° - 170°		
Wall options	Sandwich panel	handicraft panel	wall door
	50/75/100	50/75/100	Customized
Thickness of door leaf	40mm/50mm		
Size of View window	250*650mm/ 450*650mm /400*600mm		
Types of locking system	40 mm, 50 mm		
Size of View window	Leverset lock, split series, spherical lock		
Type of open control	Clear close system, hidden close system, interlocking system, automatic sliding system		

Sound proof	Operating rooms
Infection protection	ICU rooms
Moisture resistance	Office
Impact resistance	Bathroom

# Lead lined X-ray Doors



## Vertical Sections



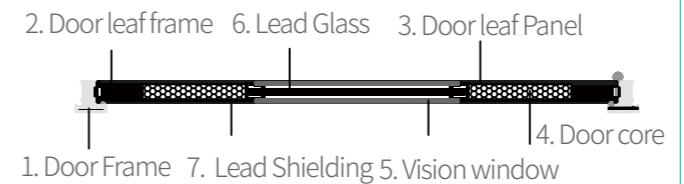
## Features

- Equipped with lead shielding panel in door leaf and door frame, X-ray protection and impact resistance.
- Containing 2-4mmPa lead equivalent, barrier to radiation, leakage protection against harmful rays.
- Patented curving design, Smooth surface, easy to clean, dust-free.

## details



## Horizontal section

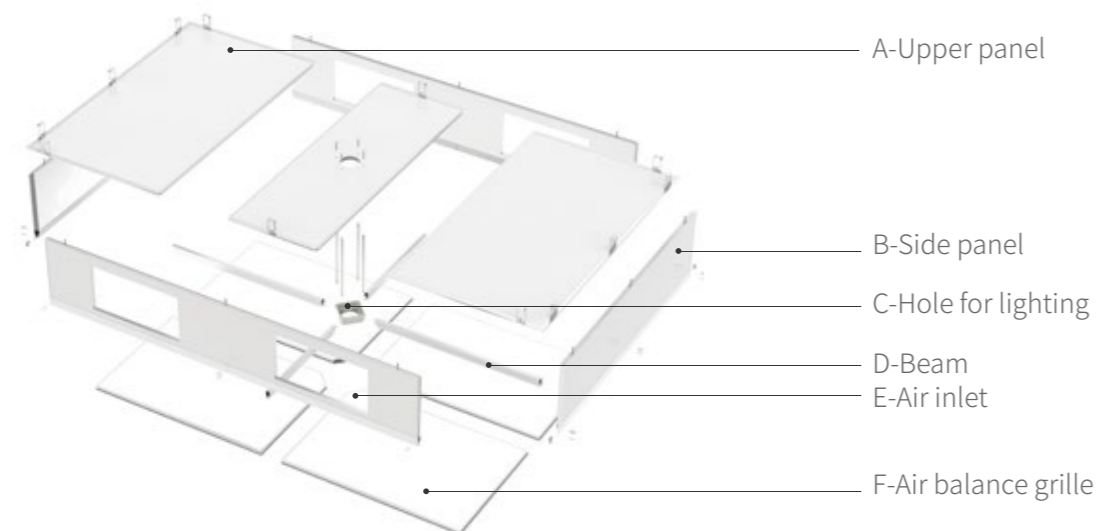


## Specifications

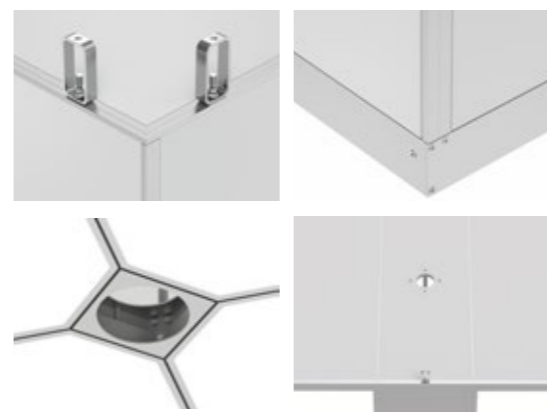
Lead lined X-ray protection room Door	Single leaf	Double leaf
Normal width of door hole/mm	950,1000	1500
Normal height of door hole/mm	2100	
Opening angle	0°~160°	
Wall options	wall door	
Wall options Thickness of wall/mm	≥50	
Door leaf panel	HPL panel or color steel and shielding sheet with 2-4mmpa lead equivalent	
Vision window option	With or without lead glass window	
Types of locking system	Lever set lock, split lock, spherical lock	
Type of open control	Clear close system, hidden close system, interlocking system, automatic sliding system	

- Impact resistant
- Operating room
- Radiation Protection
- CT room
- Security
- Consulting Room

# Ceiling Air Diffuser



## details



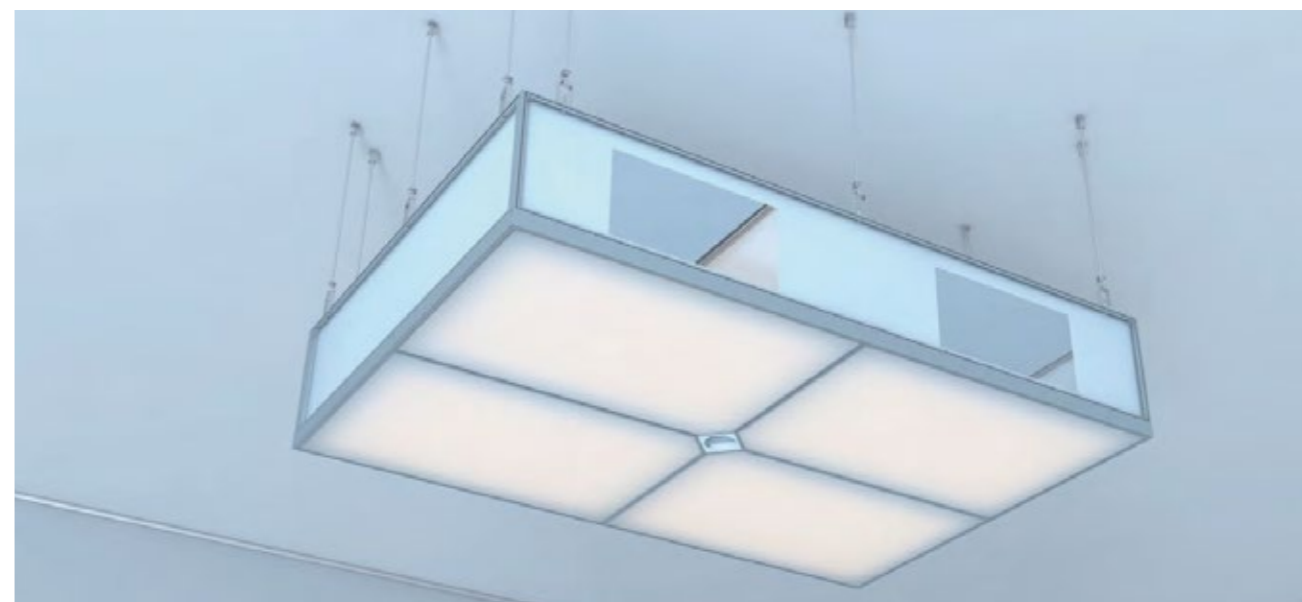
## Features

- Product design meets the three grade standards of ceiling air diffuser, both in China and foreign counties.
- Standard spare parts for easy assembling, delivering and installing on site.
- PU Polyurethane core materials, excellent insulation.
- Stable air flowing, flowing area can reach 99%, meet or even exceed the GMP standard.

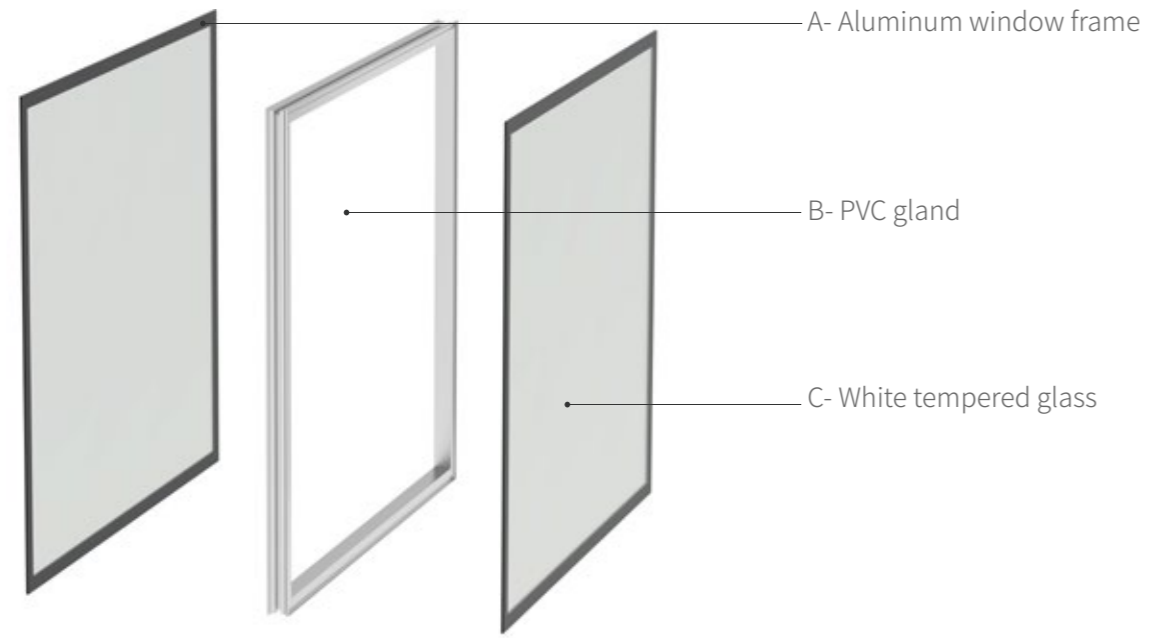
## Specifications

Model	Size	Flowing area
1	2650x2450x500	2600x2400
2	2650x1850x500	2600x1800
3	2650x1450x500	2600x1400

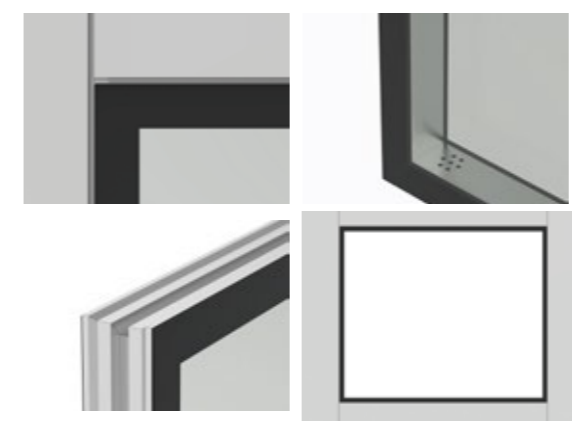
- Purification
- Operating room
- Simplicity
- ICU room
- Beauty
- Anti-bacteria



# Double Glazing Window-Vision Window for door



## details



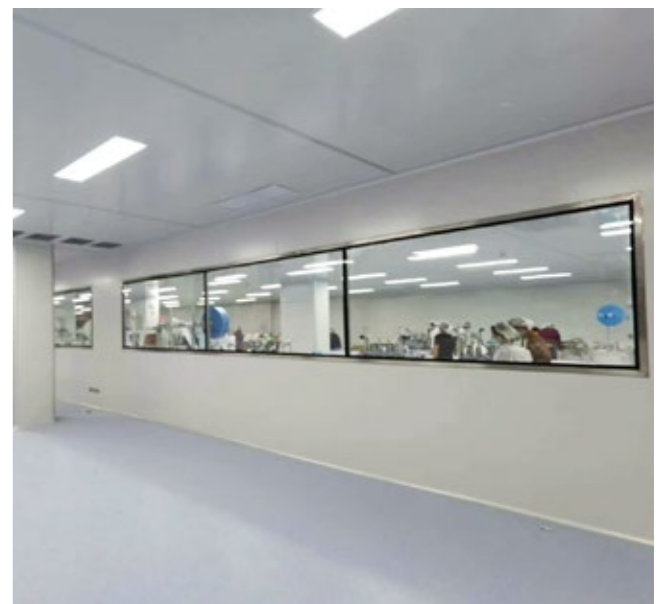
## Features

- Laminated glass with special treatment, no fog caused by different temperature, bacteria spot resistance.
- Window frame in aluminum alloy made of clean technology, Robust and durable, easy to clean.
- Tempered glass; tempered glass disperses into blunt, pebble-like pieces when it does break, avoids deep cuts and severe injury to human.

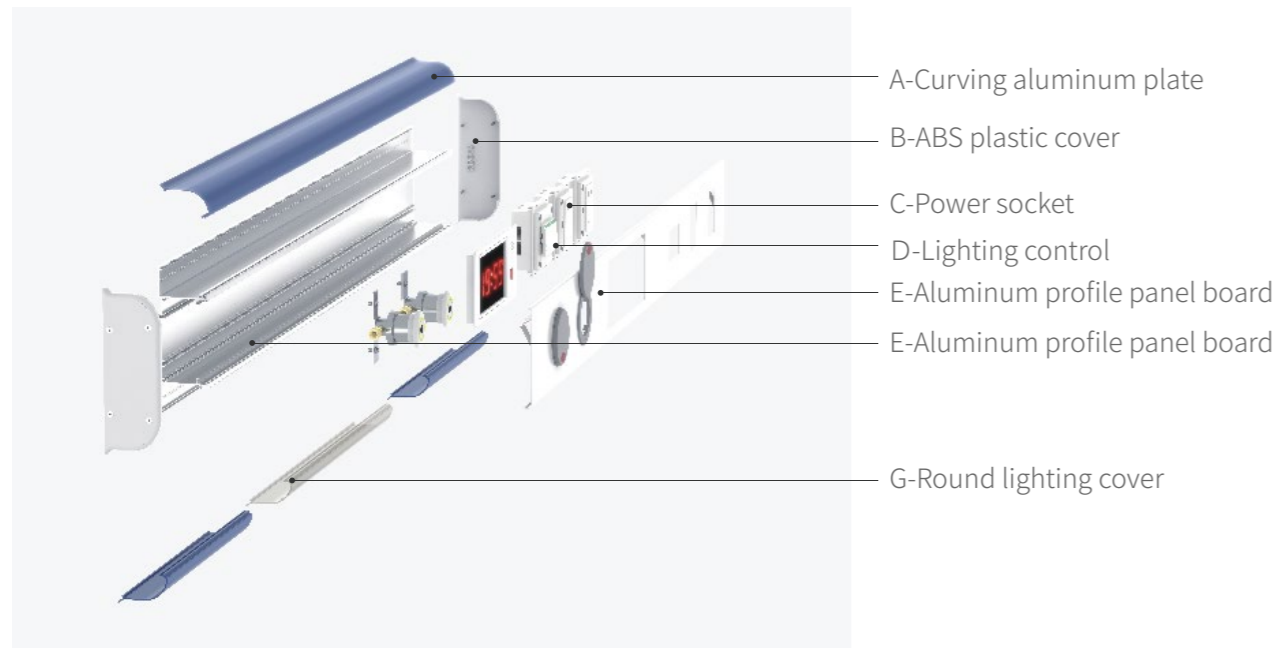
## Specifications

Normal Dimension/mm	1180x1000	2363x1000
Normal thickness/mm	50 75 100	

Special function	Safety	Moisture resistance	Clean room
Laboratories	Pharmaceutical factory	Electronics factory	Hospital



# Hospital Bed Head Units

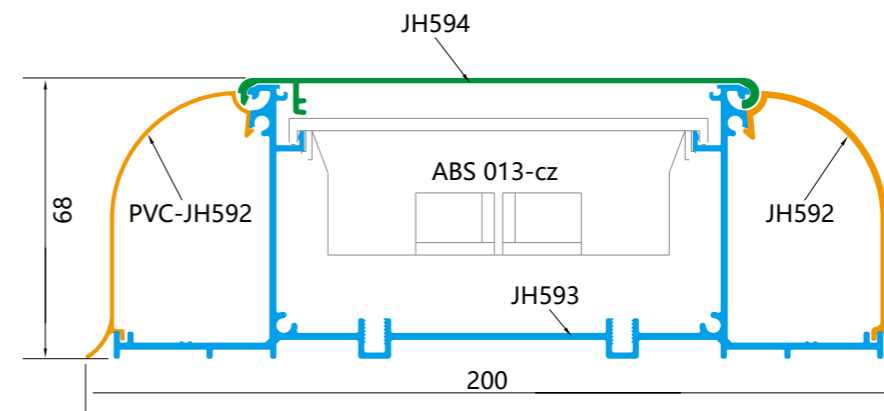


## details



## Features

- High strength aluminum alloy profiles, surface treatment can be chosen by requirement. ( Powder coating, electrophoresis, anodized)
- Beautiful design, robust and easy to clean
- Gas outlet, according to different standards, strong and weak channels, safe and reliable
- Optional parts can be equipped, electric socket, lighting, nurse calling, gas outlet etc.
- The color of front and side panel can be customized.



Special function	Operating room
personalized	Consulting Room
Safety	ICU rooms

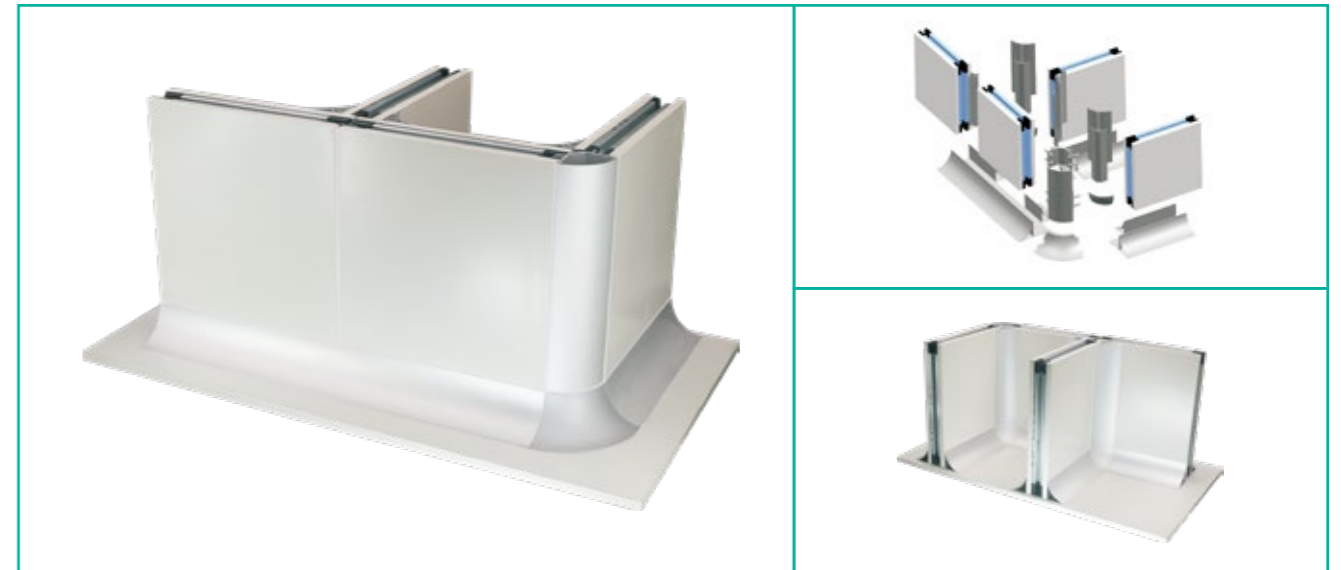




# Clean room Aluminum profiles



Konros has a wide range of existing clean room aluminum profiles. All the profiles perfectly suit our other product series, air ceiling system, manual door and window system, aluminum bed head units for hospital and all clean room construction. When you are finding a reliable manufacturer for complete solutions of clean room and hospital construction system, we are always open to support you now and forever, bringing you real profit to every project. All our products are produced by latest clean technology to meet requirement of the global market. And they are widely applied in the hospitals and all kinds of clean room.

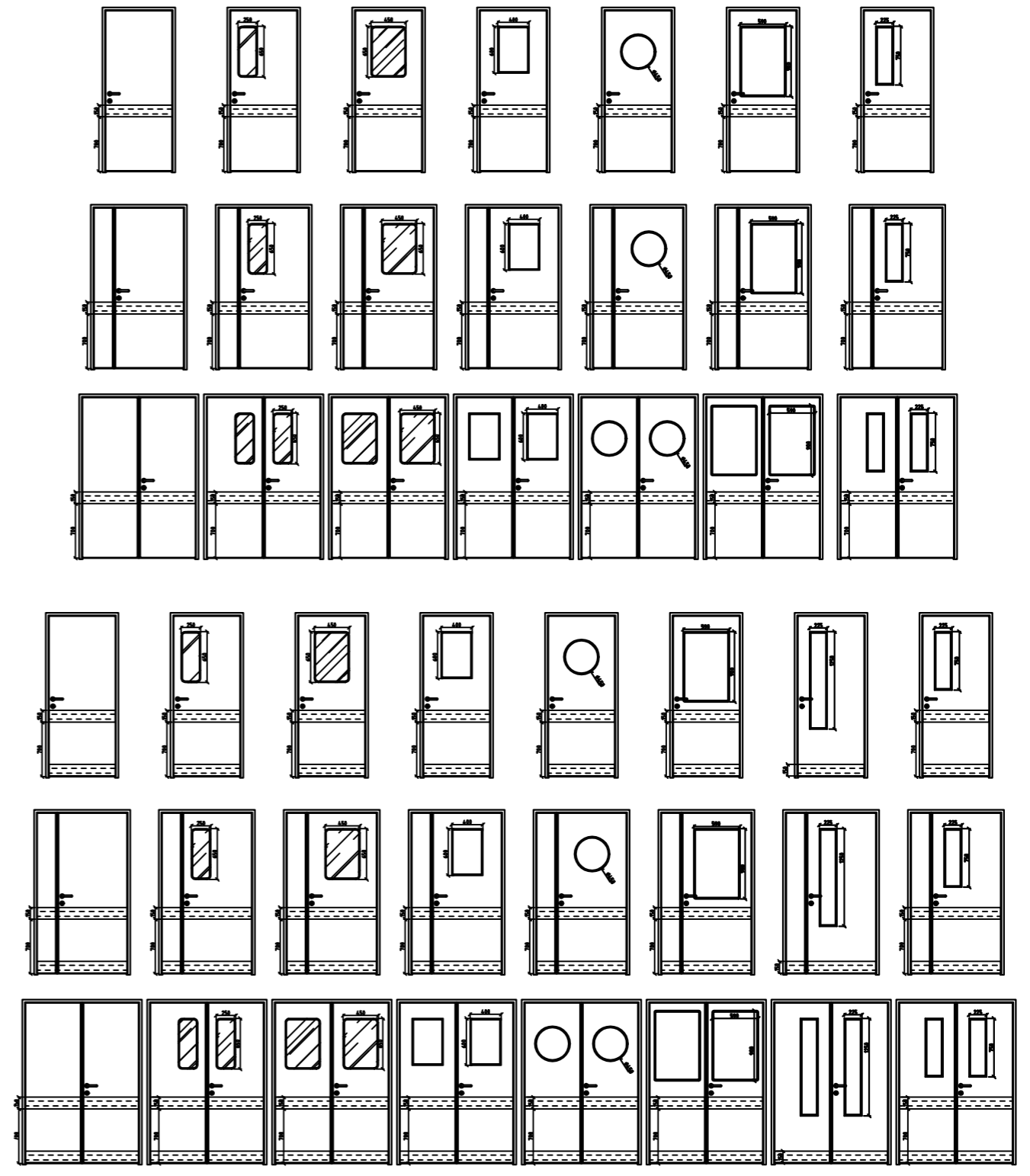
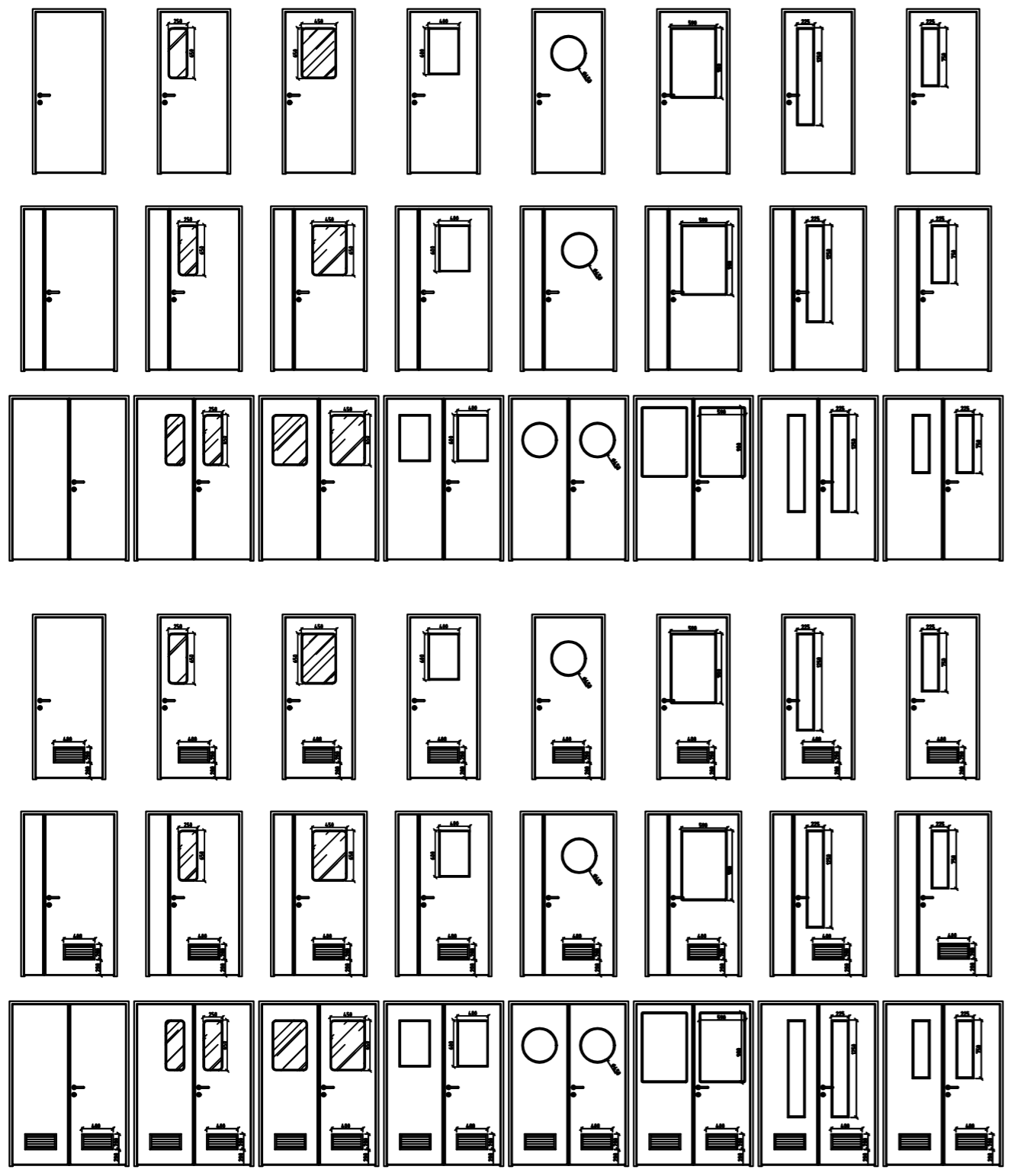


Material	Aluminum alloy
Surface finish	Anodized/Powder coating/Electrophoresis
Color	Customized
Length	5.8m/piece for 20GP container
	6m/piece for 40GP/HQ container
	other length can be made by needs

- ✓ All kinds of clean room
- ✓ Hospitals
- ✓ Pharmaceuticals Company
- ✓ Food Company
- ✓ Central Sterilization Areas
- ✓ Laboratories
- ✓ Cosmetics factory
- ✓ Electronics factory
- ✓ Microelectronics clean room
- ✓ Scientific Research Clean room

Customized aluminum profiles are also acceptable. We have very professional designers and innovating production line to meet your expectation.

# Door Design



# Hardware Accessories for door system



ST-1001 Leverset



ST-1002 Split lock



ST-1002 Spherical handle lock



BMQ2001-Hidden door closer



BMQ2002-Exposed door closer



BNQ2003- Floor spring



MJ3001- Aluminum Hinge for handicraft panel door



MJ3002-50# Aluminum Hinge for sandwich panel door



MJ3003-40# General Aluminum Hinge



MJ3004-40# Stainless steel Hinge



MJ3005-Hidden installation Hinge



Microwave induction detector



Magnetic entrance guard machine



Fingerprint attendance entrance guard machine



Foot touch opening sensor



Face recognition sensor



Safety rays sensor



Metal finger touch sensor



Magnetic lock



Low temperature electric lock



Card reader



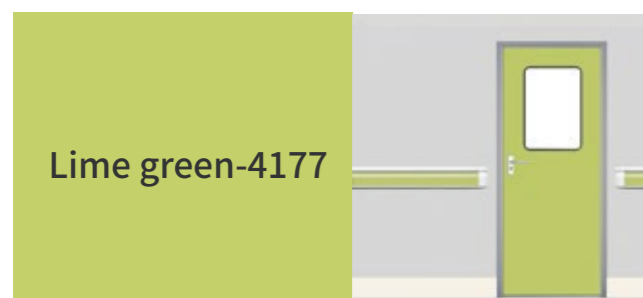
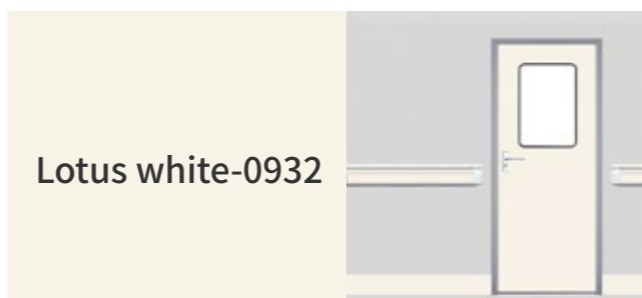
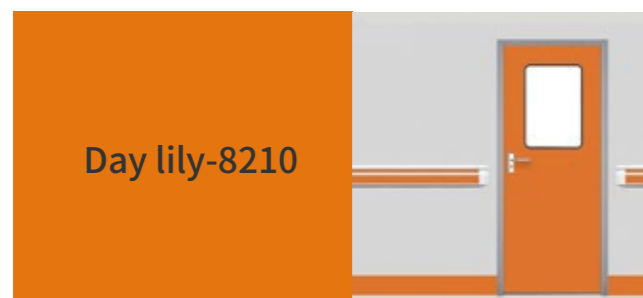
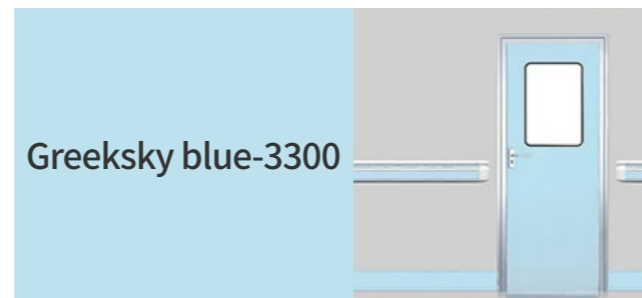
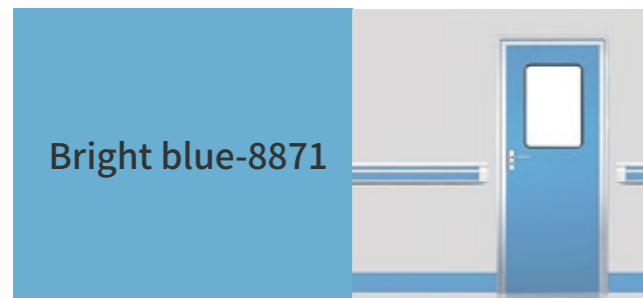
Electric motor for sliding door



Electric motor for swing door

# Door Colors for Options

## HPL door colors



## Steel door colors

